

## Minimal data

612 NHH-118		
nominal voltage	VDC	12
nominal voltage range	VDC	8 .. 15
speed	min <sup>-1</sup>	6800
power input	W	2.9
min. ambient temperature	°C	-20
max. ambient temperature	°C	70
air flow	m <sup>3</sup> /h	56
sound power level	B	5.7
sound pressure level	dB(A)	41

max. load · me = Max. efficiency · fa = Running at free air · cs = Customer specs · cu = Customer unit  
subject to alterations

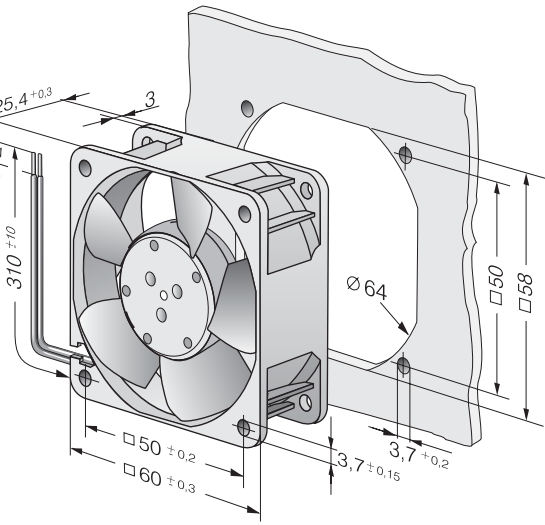


## Technical features

Case material	Fibreglass-reinforced plastic (PBT)
Frame material	Fibreglass-reinforced plastic (PA)
Weight	0.066 kg
Dimensions	60 x 60 x 25 mm
Direction of air flow	Air exhaust over bars
Direction of rotation	Right, looking at rotor
Bearing	Ball bearings
Life time L10 at 40 °C	60000 h
Life time L10 at maximum temperature	30000 h
Wiring connection	Single strands AWG 22, TR 64, bared and tin-plated.
Reverse polarity protection	Protected against reverse polarity and locking.
Locked-rotor protection	With electronic blocking and overload protection
Approval	VDE, CSA, UL, CE
Options	Special options: Speed signal Go / No-go alarm Moisture protection Protection rating: IP 54 / IP 68



## Product drawing



Parts: Air flow

